

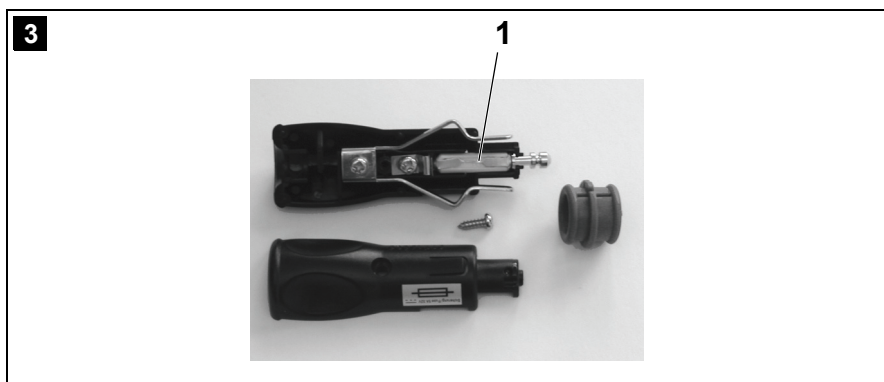
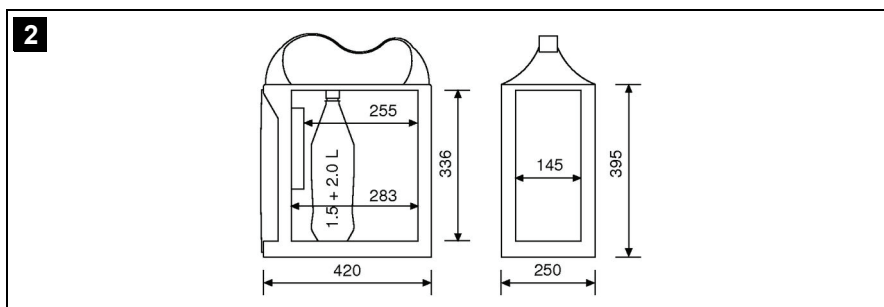
WAECO
mobile solutions



BordBar TF-14

MGD Online
Unit 6 Flynn Row
Fenton Industrial Estate
Fenton
Stoke on Trent
Staffordshire
ST4 2SE

Freephone 0800 970 9486
www.mgdonline.co.uk



Please read these instructions before start-up carefully and keep them in a safe place. Should the system be resold hand over these instructions along with the system.

Contents

1	Notes on using the manual	11
2	Safety instructions	12
3	Intended use	13
4	Scope of delivery	14
5	Technical description	14
6	Operation	14
7	Cleaning and maintenance	15
8	Guarantee	16
9	Troubleshooting	16
10	Disposal	16
11	Technical data	17

Please observe the following safety instructions.

1 Notes on using the manual

The following symbols are used in this operating manual:



Caution

Safety instruction: failure to observe this instruction can cause personal injury or damage the device.



Caution

Safety instruction relating to a danger from electrical current or voltage. Failure to observe this instruction can damage the device and impair its function and cause injury.



Note

Additional information on operation of the device.

➤ **Action:** This symbol indicates that action is required on your part. The required action is described step-by-step.

✓ This symbol describes the result of an action.

2 **1**, **page 3**: this refers to an element in an illustration. In this case, “item 1 in figure **2** on page 3”.

Please also observe the following safety instructions.

2 Safety instructions

2.1 General safety



- Do not operate the device if it is visibly damaged.
- Ensure that the ventilation slots are not covered.
- This device may only be repaired by qualified personnel. Inadequate repairs can lead to considerable hazards.
- Persons (including children) whose physical, sensory or mental capabilities or lack of experience and knowledge prevents them from using the appliance safely should not use this appliance without initial supervision or instruction by a responsible person.
- **Electronic devices are not toys.**
Always keep and use the device out of the reach of children.
- Children must be supervised to ensure that they do not play with the device.
- Food may only be stored in its original packaging or in suitable containers.
- The cooling device is not suitable for transporting caustic materials or materials containing solvents.



- Only connect the device to a 12 V socket using the 12 V lead supplied.
- Do not pull the plug out of the cigarette lighter or the socket by the cable.
- If the connection cable is damaged, it must be replaced to prevent possible electrical hazards.
- Disconnect the plug:
 - Before cleaning and maintenance
 - After use
- On boats: if the device is powered by the mains, ensure that the power supply has a ground fault interrupter circuit. **Danger of fatal injuries!**

- Disconnect the cooling device and other power consuming devices from the battery before connecting the quick charging device.
- Check that the voltage specification on the type plate corresponds to that of the energy supply.

2.2 Operating the device safely



- Do not place any electrical devices inside the cooler.
- Before starting the device, ensure that the power supply cable and the plug are dry.
- Do not place the device near naked flames or other heat sources (heaters, direct sunlight, gas ovens etc.)
- **Caution! Danger of overheating!**
Ensure at all times that there is sufficient ventilation so that the heat that arises during operation does not build up. Make sure that the device is sufficiently far away from walls and other objects so that the air can circulate.
- Do not fill the inner container with ice or fluid.
- Never immerse the device in water.
- Protect the device and the cable against heat and moisture.
- Do not touch exposed cables with your bare hands. This especially applies when operating the device with an AC mains power supply. **Danger of fatal injuries!**
- The manufacturer cannot be held liable for damage resulting from **improper usage** or **incorrect operation**.

3 Intended use



The cooler is suitable for cooling foodstuffs.

The device has been designed for use with a 12 V DC vehicle electrics socket of a car (cigarette lighter), boat or caravan.

The appliance may also be used for camping use. The appliance shall not to be exposed to rain. It can be used as a box or cupboard.



Note:

To operate the device using a 220-240 V AC mains supply, we recommend using a rectifier.

**Caution!**

If you wish to cool medicines, please check if the cooling capacity of the device is suitable for the medicine in question.

4 Scope of delivery

No. in fig. 1 , page 2	Quantity	Description
1	1	BordBar TF-14 (Item no. TF-14AU-12)
2	1	Connection cable for 12 V DC connection
–	1	Operating manual

5 Technical description

The cooler is suitable for mobile use. It can cool goods to max. 25 °C under the ambient temperature or keep them cool.

Its cooling system is a non-wearing and CFC-free Peltier cooling, the heat is discharged by a fan.

Pockets on the outside provide additional storage space. Note that objects stored in them are **not** cooled.

6 Operation

**Note**

Before starting your new cooling device for the first time, you should clean it inside and outside with a damp cloth for hygienic reasons (please also refer to the “Cleaning and maintenance” chapter on page 15).

6.1 Energy saving tips

- Choose a well ventilated installation location which is protected against direct sunlight.
- Allow warm food to cool down first before placing it in the device to keep cool.
- Do not open the cooling device more often than necessary.

- Do not leave the lid open for longer than necessary.
- Clean the lid seal regularly.

6.2 Using the cooler



Note

Like every cooling device, your cooler must be properly ventilated so that any heat created can dissipate. Otherwise proper functioning cannot be ensured.

- Place the cooler on a firm base.
- Connect the 12 V connection cable into the cigarette lighter socket or a 12 V socket in the vehicle
- ✓ The cooler starts cooling the interior.



Caution!

Ensure that the objects placed in the cooler are suitable for cooling to the selected temperature.

- To switch off the cooler, disconnect the plug.

6.3 Connecting to a cigarette lighter



Note

If you connect the device to the cigarette lighter of your vehicle, remember that the ignition must be turned on to supply the device with power.

7 Cleaning and maintenance



Caution!

Before cleaning the cooler, disconnect the plug from the socket or cigarette lighter.



Caution!

Do not clean the cooler under running water or in dishwasher.



Caution!

Do not use abrasive cleaning agents or hard objects during cleaning as these can damage the cooler.

- Occasionally clean the device interior and exterior with a damp cloth.

8 Guarantee

The statutory warranty period applies. If the product is defective, please contact the manufacturer's branch in your country (see the back of the instruction manual for the addresses) or your retailer. For repair and guarantee processing, please include the following documents when you send in the device:

- A copy of the receipt with purchasing date
- A reason for the claim or description of the fault

9 Troubleshooting

Fault	Possible cause	Suggested remedy
Your cooler does not work (plug is inserted).	There is no voltage flowing from the 12 V socket (cigarette lighter) in your vehicle.	The ignition must be switched on in most vehicles for voltage to flow at the cigarette lighter.
	No voltage present at the AC voltage socket.	Try using another plug socket.
	The inner fan or the cooling element is defective.	This can only be repaired by an authorised customer services unit.
Operation with a 12 V socket (cigarette lighter): The ignition is on and the cooler is not working.	The cigarette lighter socket is dirty. This results in a poor electrical contact.	If the plug of your cooler becomes very warm in the cigarette lighter socket, either the socket must be cleaned or the plug has not been assembled correctly.
	The fuse of the 12 V plug has blown.	Pull the plug out of the socket and replace the fuse (5 A) in the 12-V plug (fig. 3 1, page 2).
	The vehicle fuse has blown.	Replace the vehicle's 12 V socket fuse (usually 15 A). (Please refer to the operating manual of your vehicle.)





10 Disposal

- Place the packaging material in the appropriate recycling waste bins wherever possible.



If you wish to finally dispose of the device, ask your local recycling centre or specialist dealer for details about how to do this in accordance with the applicable disposal regulations.

11 Technical data

	WAECO BordBar TF-14
Item no.	TF-14AU-12
Gross capacity:	14 litres
Connection voltage:	12 V DC
Power consumption:	36 W
Cooling capacity:	Max. 25 °C under ambient temperature
Dimensions:	fig. 2 , page 2
Weight:	4.6 kg
Testing/certification:	   

Versions, technical modifications and delivery options reserved.



MGD Online
Unit 6 Flynn Row
Fenton Industrial Estate
Fenton
Stoke on Trent
Staffordshire
ST4 2SE

Freephone 0800 970 9486
www.mgdonline.co.uk